



TEKA offers a wide range of suction and collecting elements for various solutions. Our suction arms range from small diameters, e.g. 50 mm for laboratories, dentistry or beauty salons up to large diameters for the extraction of high amounts of welding fume.

Additionally, the TEKA product portfolio consists of suction arms, cranes and hoses made of materials which are optimized for different applications such as arms made of aluminium that are chemically resistant or antistatic.

A hood is installed at the tip of every suction element to make sure of an efficient extraction. You can choose between different versions.

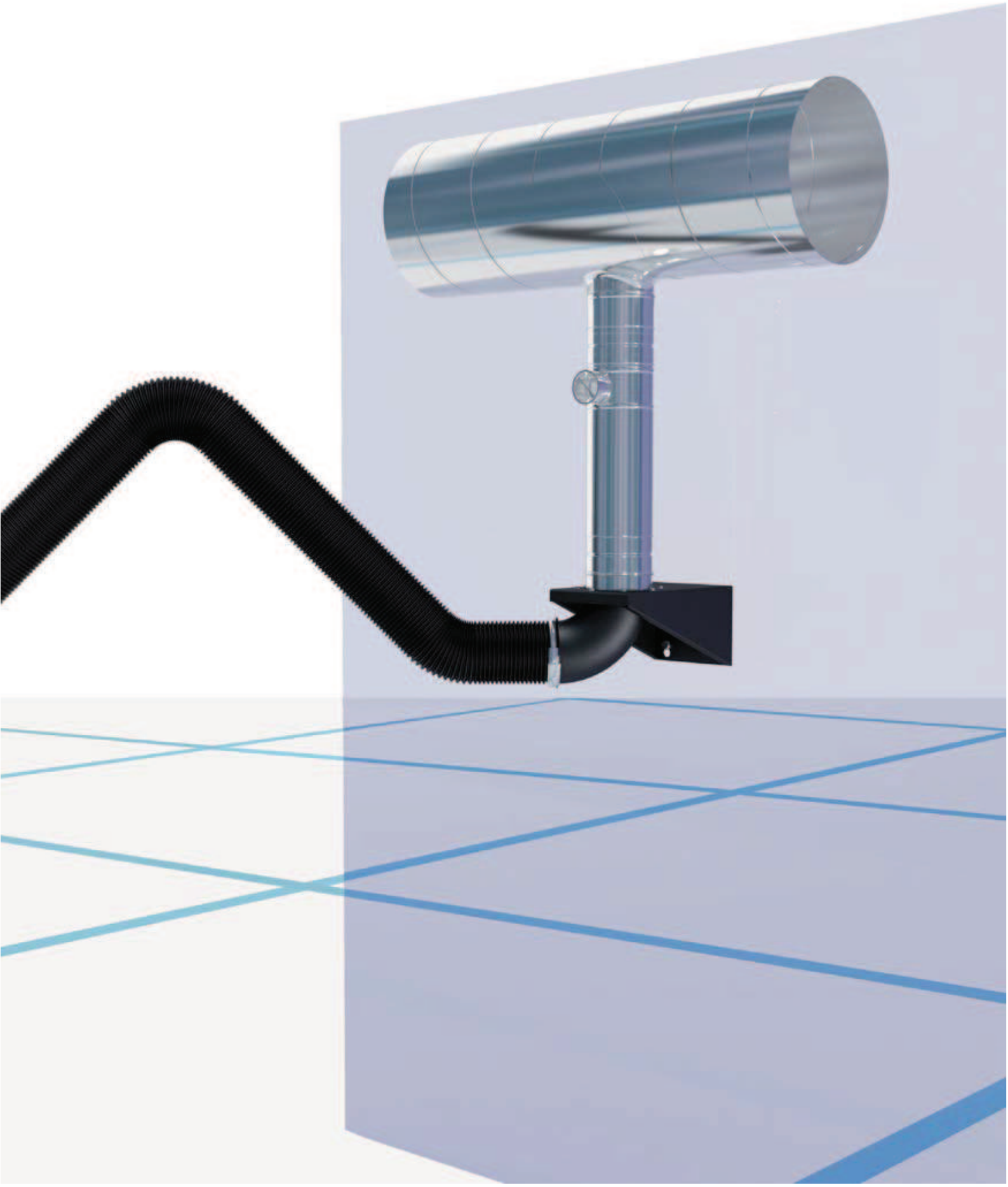
Our extraction elements are available for table, wall or ceiling attachment, or they are connected directly to the filter unit and positioned by means of joints or jib cranes. It would be our pleasure to advise you in finding the appropriate solution for you.



5. Suction and collecting elements

Our Hotline

+49 28 63 92 82 0



Suction arm \varnothing 150 mm

Suitable for

Welding fume extraction – The arms can either be connected to individual fans or to central suction and filter systems



Suction arm (Art. No. 97 621)

Description

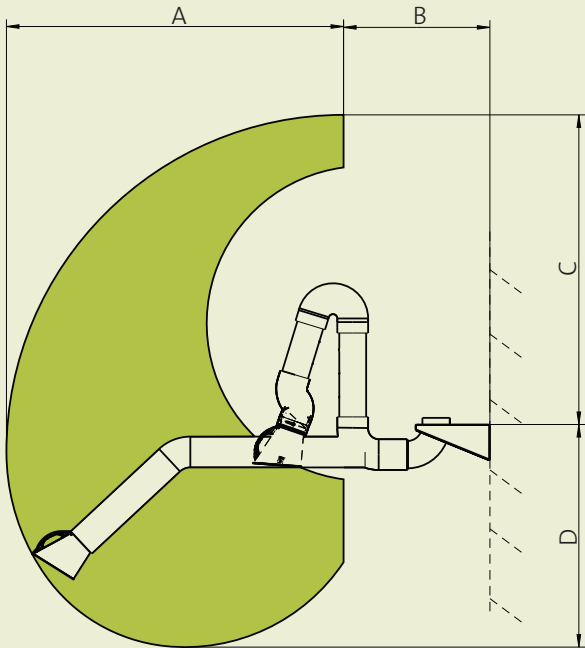
The suction arms \varnothing 150 mm are available in different versions and lengths.

Due to the spring-support, all arms are easily positioned and self-supporting in the adjusted position.

The volumetric flow can be individually regulated via a throttle valve that is integrated in the suction hood.

Standard equipment

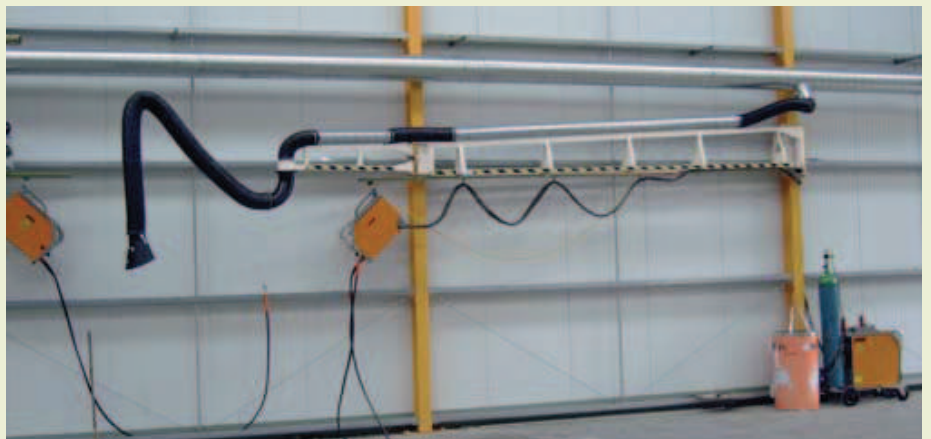
- ▶ Oval suction hood \varnothing 270 mm made of synthetics with throttle valve
- ▶ From a length of 5 m on, additional wall bracket with C-rail
- ▶ Stable wall bracket made of powder-coated steel plate
- ▶ Connection nozzle \varnothing 160 mm
- ▶ Wall bracket with support for ducting connection
- ▶ 3 joints with spring control and friction plates
- ▶ Flexible suction hose (PVC) with welded steel wire spiral (temperature-resistant up to +120°C)
- ▶ Robust parallelogram frame for suction arms pipe type with external joints (3 – 8 m long)



Dimensions

		Art. Nr.	A	B	C	D	R
Hose	Internal joints	97 601	1900 mm	815 mm	1730 mm	1242 mm	2410 mm
	External joints	97 620	1800 mm	750 mm	1640 mm	1150 mm	2315 mm
Rohr	Internal joints	97 605	1900 mm	815 mm	1730 mm	1242 mm	2410 mm
	External joints	97 630	1700 mm	660 mm	1450 mm	1100 mm	2225 mm

Special solution 10,5 m long with wall bracket, hose type, internal joints (Art.-No.97 603 409)





Our Hotline

+49 28 63 92 82 0

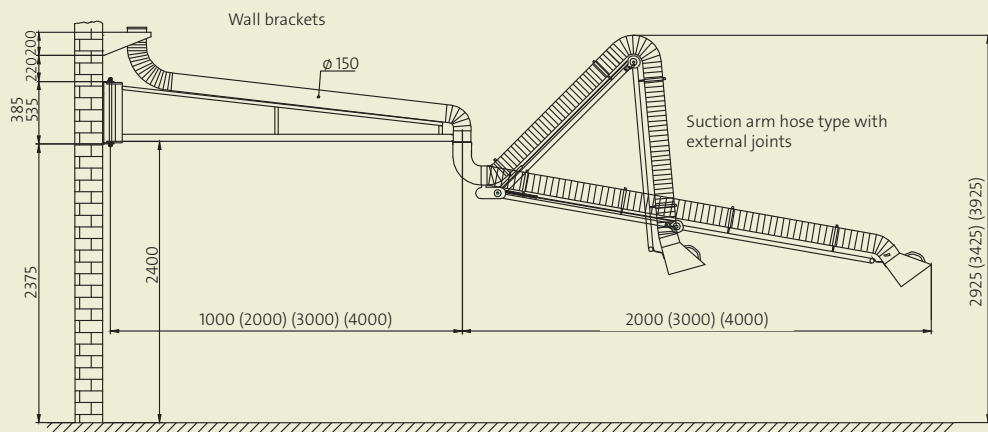


Available as an option

- ▶ Other arm lengths on request
- ▶ Suction hood made of metal
- ▶ Nozzle plate for an even more effective extraction of fumes and dusts
- ▶ Lighting kit for suction hood
- ▶ High-temperature hoses
- ▶ Spark arrester grill
- ▶ Spark arrester grill made of aluminium including metal hood
- ▶ Wall bracket with counter nozzles for TEKA fans
- ▶ metal suction hood



Suction arm (Art. No. 97 631 9)



Available versions

Suction arm Ø 150 mm PG2

			Length										
			2 metres	3 metres	4 metres	5 metres	6 metres	7 metres	8 metres				
<i>recommended volumetric flow of the fan:</i>			1000–2000m³/h	2000m³/h	2000m³/h	2000–2500m³/h	2000–2500m³/h	2500m³/h	2500–3000m³/h				
for wall assembly	Hose	<i>Internal joints</i>	97 601 490,00 €	97 602 535,00 €	97 603 580,00 €	97 602 2 948,00 €	97 603 2 1165,00 €	97 602 4 1330,00 €	97 603 4 1560,00 €				
		<i>External joints</i>	97 620 735,00 €	97 621 935,00 €	97 622 1060,00 €	97 621 2 1210,00 €	97 622 2 1410,00 €	97 621 4 1685,00 €	97 622 4 1950,00 €				
	Pipe	<i>Internal joints</i>	97 605 695,00 €	97 606 820,00 €	97 607 905,00 €	97 606 2 1170,00 €	97 607 2 1285,00 €	97 606 4 1540,00 €	97 607 4 1670,00 €				
			<i>External joints</i>	97 630 899,00 €	97 631 160 1095,00 €	97 632 160 1230,00 €	97 631 162 1370,00 €	97 632 162 1570,00 €	97 631 164 1855,00 €	97 632 164 2115,00 €			
		for mobile units	Hose	<i>Internal joints</i>	97 601 000 1 451,00 €	97 602 000 1 498,00 €	97 603 000 1 545,00 €						
				<i>External joints</i>	97 620 000 1 656,00 €	97 621 000 1 726,00 €	97 622 000 1 820,00 €						
Pipe	<i>Internal joints</i>		97 605 000 1 858,00 €	97 606 000 1 678,00 €	97 607 000 1 775,00 €								
	<i>External joints</i>		97 630 000 1 845,00 €	97 631 000 1 1035,00 €	97 632 000 1 1168,00 €								



Suction arm \varnothing 200 mm

Suitable for

Larger amounts of air, e.g. for flux-cored arc welding with high tensions or gross welding rod



Suction arm (Art. No. 97 622)

Description

The suction arms \varnothing 200 mm are available in different versions and lengths.

Due to the spring-support, all arms are easily positioned and self-supporting in the adjusted position.

The volumetric flow can individually be regulated via the throttle valve integrated in the suction hood.

Standard equipment

- ▶ Oval suction hood made of metal (\varnothing 315 mm) with throttle valve
- ▶ From a length of 5 m on with an additional wall bracket
- ▶ Stable wall bracket made of powder-coated sheet steel
- ▶ Connection nozzle
- ▶ Wall bracket with counter nozzle for TEKA fans

- ▶ 3 joints with spring support
- ▶ Flexible suction hose (PVC) with welded steel wire spiral (temperature-resistant up to +120°C)

Available as an option

- ▶ Other lengths on request
- ▶ Lighting kit for suction hood
- ▶ Spark arrester grill
- ▶ Wall mount with counter-pipe for TEKA fans

Available versions

Suction arm \varnothing 200 mm

PG 2

			Length								
			2 metres	3 metres	4 metres	5 metres	6 metres	7 metres	8 metres		
<i>recommended volumetric flow of the fan:</i>			3000 m ³ /h	3000 m ³ /h	3000 m ³ /h	3500 m ³ /h	3500 m ³ /h	3500 m ³ /h	3500 m ³ /h	3500 m ³ /h	3500 m ³ /h
for wall assembly	Hose	Internal joints	97 661	97 662	97 663	97 662 2	97 663 2	97 662 4	97 663 4		
			876,00 €	948,00 €	1 020,00 €	1 520,00 €	1 580,00 €	1 845,00 €	2 030,00 €		
for mobile units	Hose	Internal joints	97 661 000 1	97 662 000 1	97 663 000 1						
			815,00 €	885,00 €	960,00 €						

Suction crane

Our Hotline

+49 28 63 92 82 0



Suitable for

Connection to central units and individual fans



Description

Suction cranes are available in different versions and lengths.

Regarding suction cranes \varnothing 160 mm up to a reach of 6 meters, it is possible to attach tools due to the two part supporting construction. At the first outrigger, you can attach charges up to a weight of 50 kg (e.g. a mechanical wire travel). The second outrigger can be charged with up to 10 kg (e.g. tube package).

The internal construction of the telescopic arm allows a smooth adjustment at every height.

Available as an option

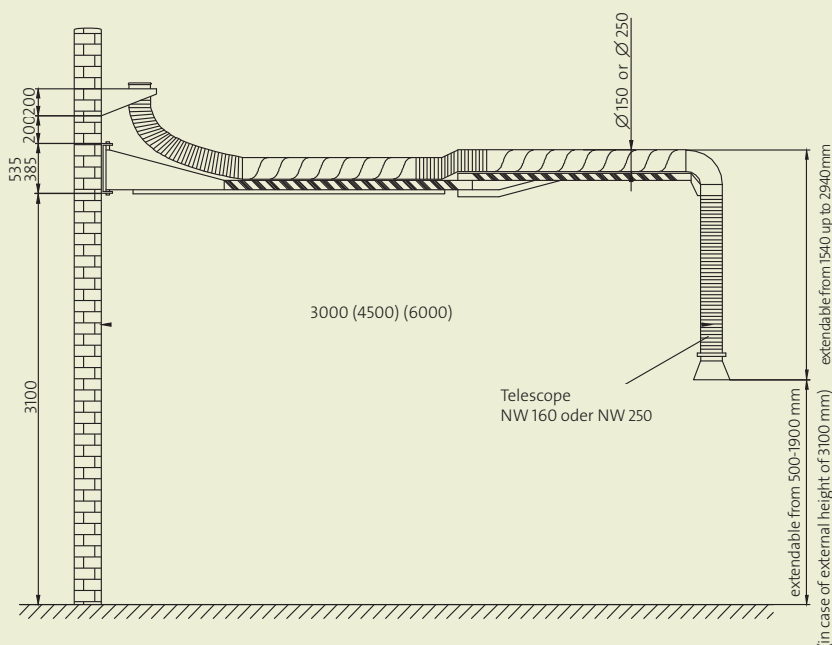
- ▶ Lighting kit for suction hood
- ▶ High-temperature hoses
- ▶ Spark arrester grill



Suction crane (Art. No. 97 641)

Standard equipment

- ▶ Pivoted, powder-coated supported construction made of sectional steel
- ▶ Adjustable brakes for the joints
- ▶ Connection of the suction pipes to flexible hoses at the joints
- ▶ Smoothly telescopic extension with suction hood situated at the front outrigger
- ▶ Wall bracket incl. pipe elbow and drive flange



Available versions

Suction crane		PG 2		
	Length			
		3 metres	4,5 metres	6 Meter
\varnothing 160	97 640	97 641	97 642	
	1 255,00 €	1 600,00 €	2 240,00 €	
\varnothing 250	97 649	97 650	97 651	
	1 980,00 €	2 300,00 €	2 910,00 €	

Telescopic suction arm

Suitable for

Connection to central units and individual fans. Ideal to extract pollutants produced by fixed welding benches, e.g. in welding booths.



Telescopic suction arm
(Art. No. 97 616)

Description

The telescopic suction arms are available in different versions. Due to the little space required, they are optimally appropriate to be applied in training and education centres.

The version fitted with external joints guarantees a fume extraction with considerably lower fan performance. This reduces the noise level.

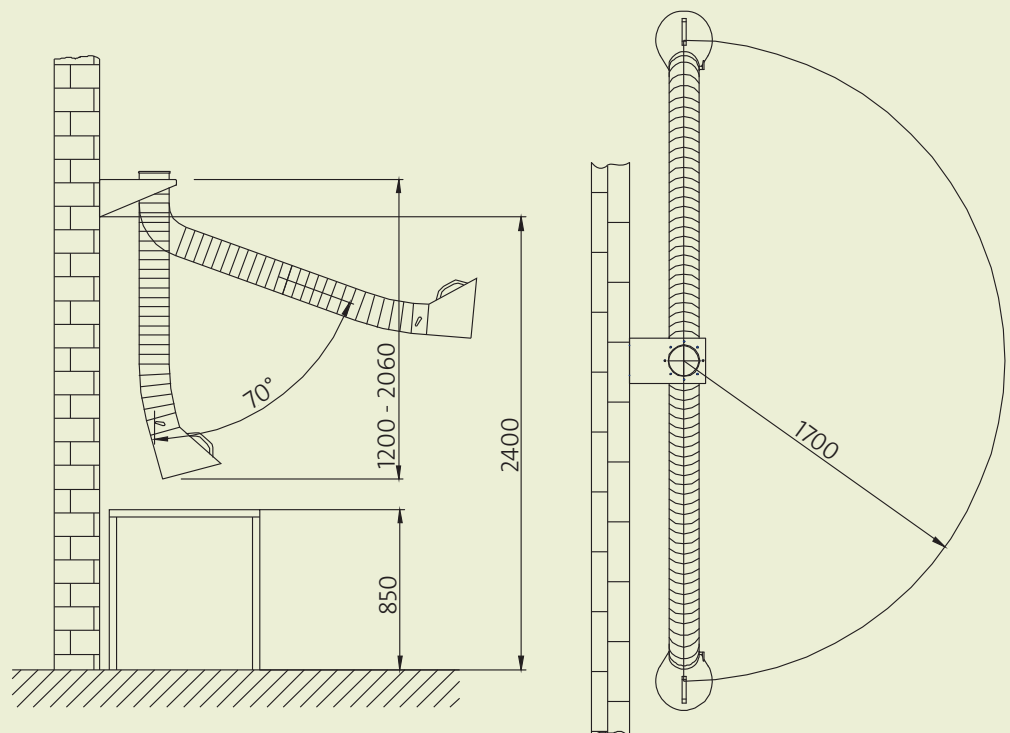
- ▶ Suction hood \varnothing 150 mm made of synthetics with integrated throttle valve
- ▶ Suction hoods \varnothing 100 mm and \varnothing 200 mm made of metal with integrated throttle valve
- ▶ Wall bracket with support for ducting connection
- ▶ Connection nozzle \varnothing 160 mm
- ▶ Suction hood

Standard equipment

- ▶ Smoothly vertically adjustable
- ▶ Pivoted to the front
- ▶ Rotating by 180°
- ▶ Extendable from a length of 1.20 to 2.06 m
- ▶ Low wear telescopic function (without counterweight)

Available as an option

- ▶ Lighting kit for suction hood
- ▶ High temperature hoses
- ▶ Spark arrester grill
- ▶ Wall mount with counter-pipe for TEKA fans



Our Hotline

+49 28 63 92 82 0



Example of application: Telescopic suction arm in a welding booth

Available versions

Telescopic suction arm

PG3

Length: 1.2–2.06 m

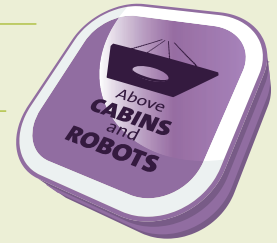
		Ø		
		100	150	200
Hose	Internal joints	97 616 100	97 616	97 616 200
		625,00 €	650,00 €	1 090,00 €
	External joints	97 626 100	97 626	97 626 200
		820,00 €	855,00 €	1 275,00 €



Special suction hood

Suitable for

Application above booths and welding robots



Special suction hood with lamellas at a robotic suction system

Description

The suction hoods operate according to the principle of the nozzle plate. Due to this, the necessary air amount is applied much more effectively.

Special versions can be realized at every time. Our employees would be glad to advise you in your request, also regarding curtains and lamellas required.

Available as an option

- ▶ Different dimensions on request
- ▶ Curtains
- ▶ Lamellas
- ▶ Different versions (e.g. lip suction) on request
- ▶ Made of galvanised steel plate

Standard equipment

- ▶ Stable steel plate
- ▶ Suction nozzles
- ▶ Eye hooks

Available versions

Suction hood			PG3
Suction nozzle	<i>Required volumetric flow of the fan</i>	<i>Dimensions (B×T)</i>	
∅ 200 mm	1700 m ³ /h	1000 × 1000 mm	56 610 943,00 €
∅ 250 mm	2600 m ³ /h	1350 × 1350 mm	56 611 1 273,00 €
∅ 2×200 mm	3400 m ³ /h	2000 × 1500 mm	56 612 1 657,00 €



Accessories

Our Hotline

+49 28 63 92 82 0



Description	Art. No.	Suction arm Ø 150 mm	Suction arm Ø 200 mm	Suction crane	Telescopic suction arm
Nozzle plate, angular 300 × 360 mm, PVC, black	66 210	■			
	PG2 45,00 €				
Nozzle plate, round Ø 400 mm, PVC, black	66 220	■			
	PG2 45,00 €				
Connection material Ø 160 mm (nozzle, flange and hose clamp)	96 301	■			
	PG2 41,00 €				
Outlet air hose, multilayer aluminium foil, length for delivery 1,25 m, extendable up to 5,0 m	Ø 160 mm 96 303	■			
	PG2 138,00 €				
Ø 250 mm	96 304	■	■		■
	PG2 192,00 €				
Lighting kit incl. transformer unit	96 312	■	■	■	■
	PG2 214,00 €				
Support column for arm 2 - 4 m long, with base plate, height 2 500 mm	90 000 000 1	■			
	PG2 565,00 €				
Spare hose for arm, pipe type, incl. rubber bands	10 004 3	■			
	PG2 67,00 €				
Spare hose for arm, hose type	Length 2,0m 10 192 5	■			■
	PG2 83,00 €				
Length 3,0m	10 192 6	■			
	PG2 125,00 €				
Length 4,0m	10 192 7	■			
	PG2 165,00 €				
Suction hood PVC, incl. throttle valve	66 200	■			
	PG2 130,00 €				
Protective grille (fine-meshed) for integration in suction hood	10 372	■			
	PG2 36,00 €				
Suction hood PVC incl. throttle valve and integrated spark protection grille	66 200 000 3	■			
	PG2 156,00 €				
Suction hood (metal), incl. throttle valve	10 490 1	■			
	PG2 225,00 €				
Fan 3 000 m³/h, 1,5 kW incl. fixing plate and snap fastener	96 103 41		■		
	PG2 1 060,00 €				
Fan 3 500 m³/h, 2,2 kW incl. wall bracket and flexible aluminium ducting	96 104 41		■		
	PG2 1 830,00 €				
Fixing plate for connection incl. snap fastener	96 301 200		■		
	PG2 96,00 €				